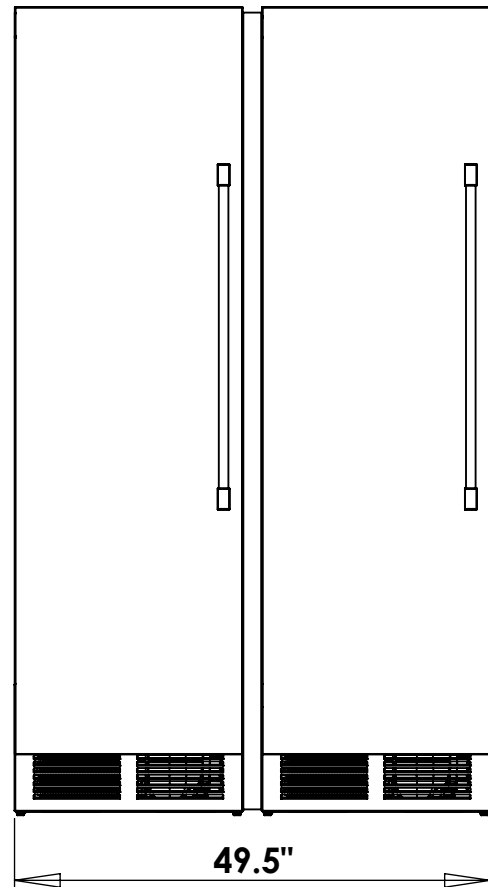
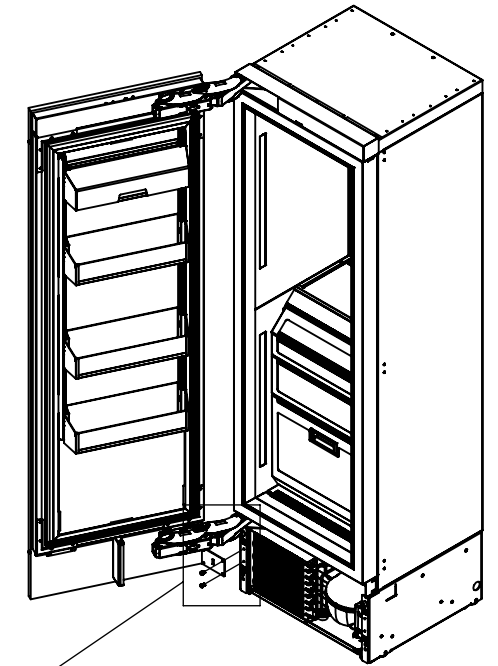
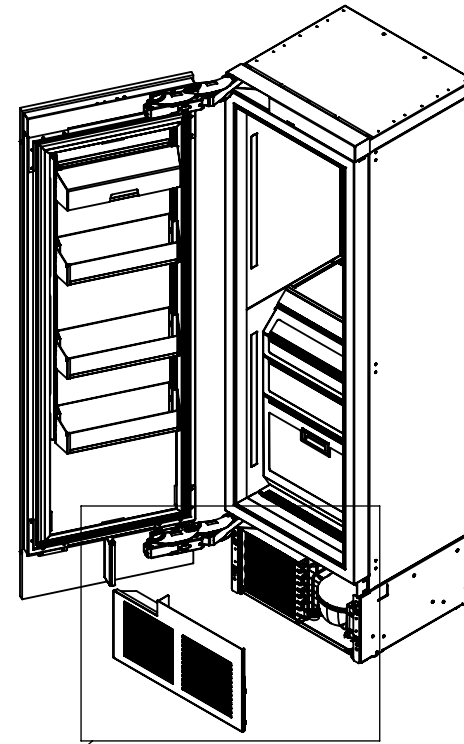
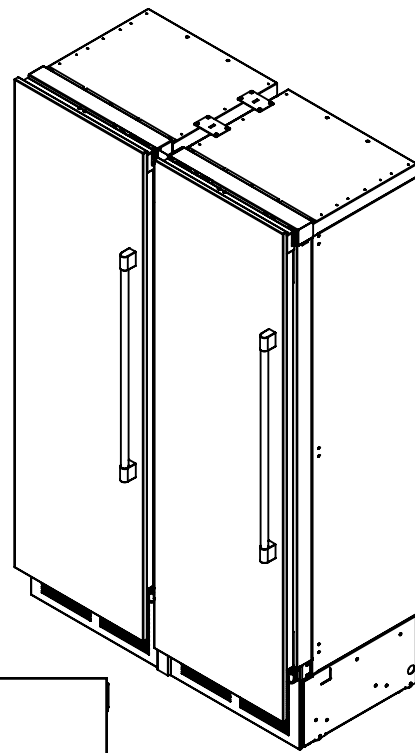
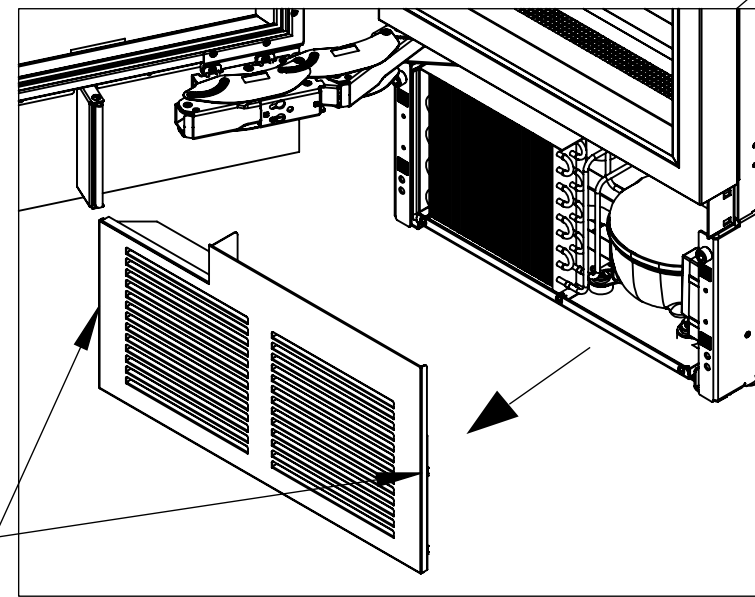


# PERLICK ACCESSORY KIT INSTRUCTIONS FOR CR-ACC-D2N

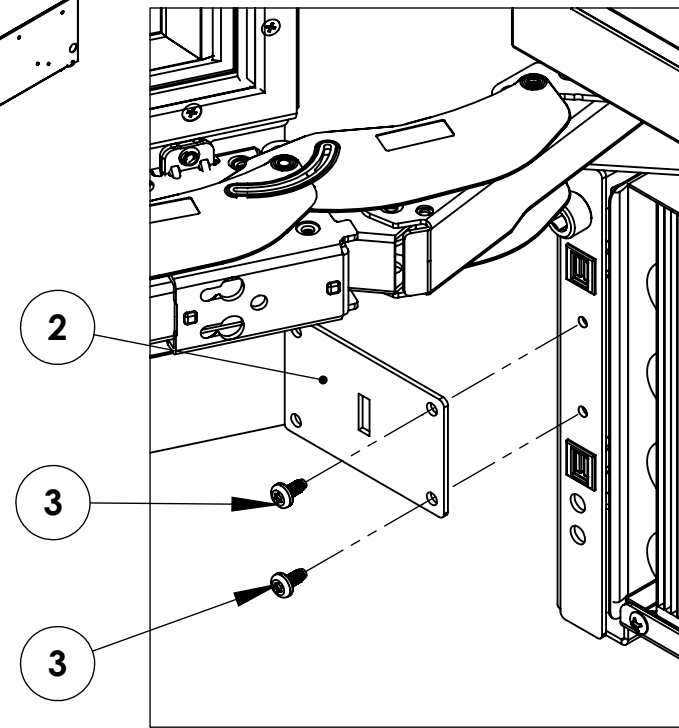
## 2" TRIM KIT INSTRUCTIONS, HINGE TO HANDLE



PULL POINTS



**STEP #1: OPEN THE DOORS TO THE CABINETS. GRAB BOTH SIDES OF THE FRONT GRILL PLATE AND PULL STRAIGHT OUT IN ORDER TO POP THE CLIPS OUT OF THE LATCHES. DO THIS TO BOTH CABINETS.**



**STEP #2: SELECT THE CABINET THAT WILL BE PLACED ON THE RIGHT SIDE. SECURE (1) ATTACHING BRACKET (1017862-1) TO THE FRONT BASE WITH (2) 1008781 SCREWS**

ADDED TITLE & HINGE VIEWS

B 2/06/2019 KDS

NEW RELEASE

A 5/26/2018 KDS

REVISIONS

SCALE: 1:50

DR.: KDS DATE: 5/26/2018

1017884

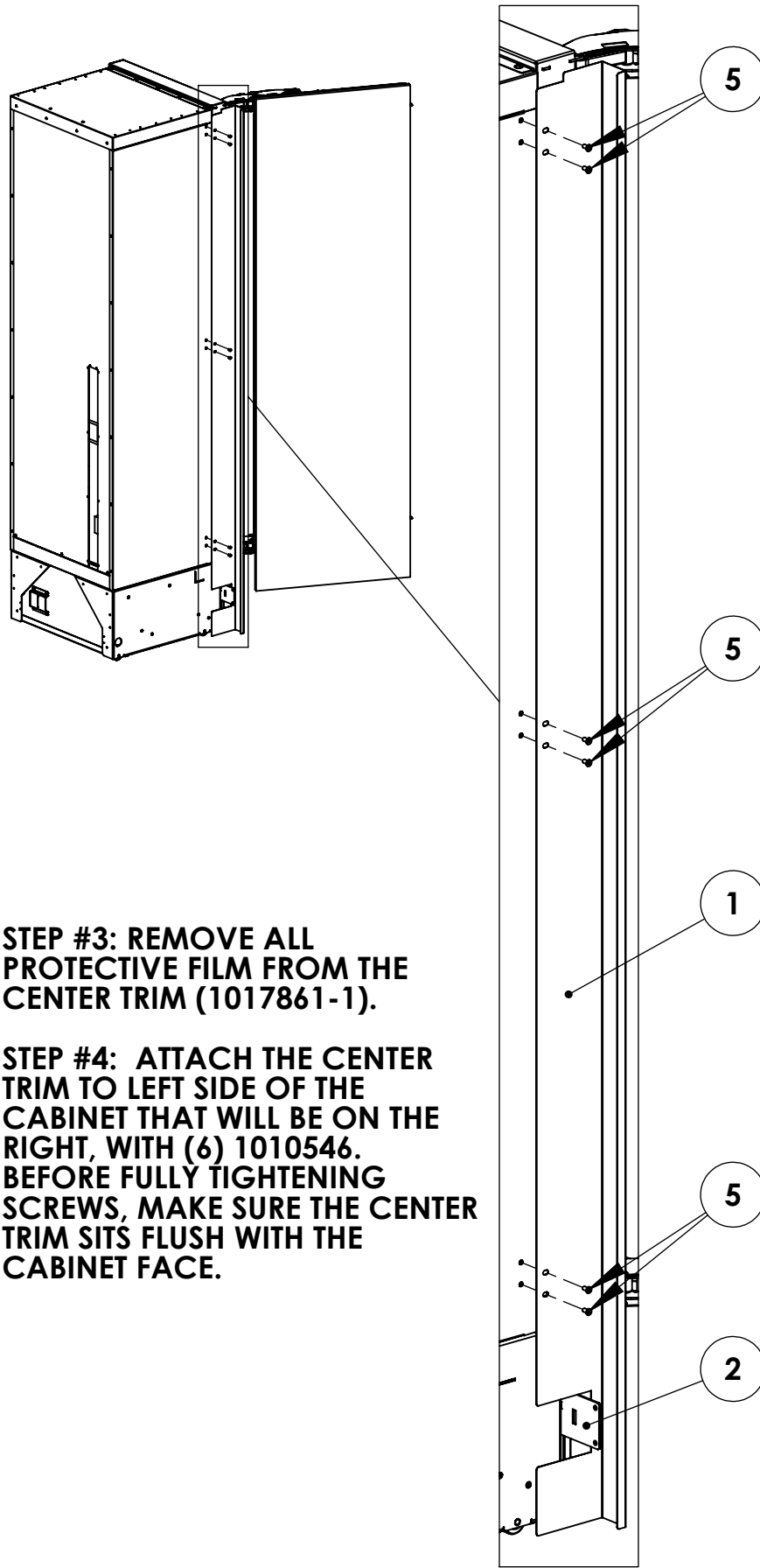
SHEET 1 OF 2

ITEM NO.	PART NUMBER	DESCRIPTION	Default/QTY.
1	1017861-1	CENTER TRIM, 2" SIDE BY SIDE, COLUMN	1
2	1017862-1	BRACKET, 2" ATTACHING, COLUMN, FOR SIDE BY SIDE INSTALLS	4
3	1008781	SCREW, M6 X 12MM, THRD	8
4	M50050-466	#10 X 1/2" PH Truss Head SMS #410 S.S., Type "AB",	8
5	1010546	M5x10 MACH SCR, LOW HEAD, NBK PART NO: SSH-M5-10	6



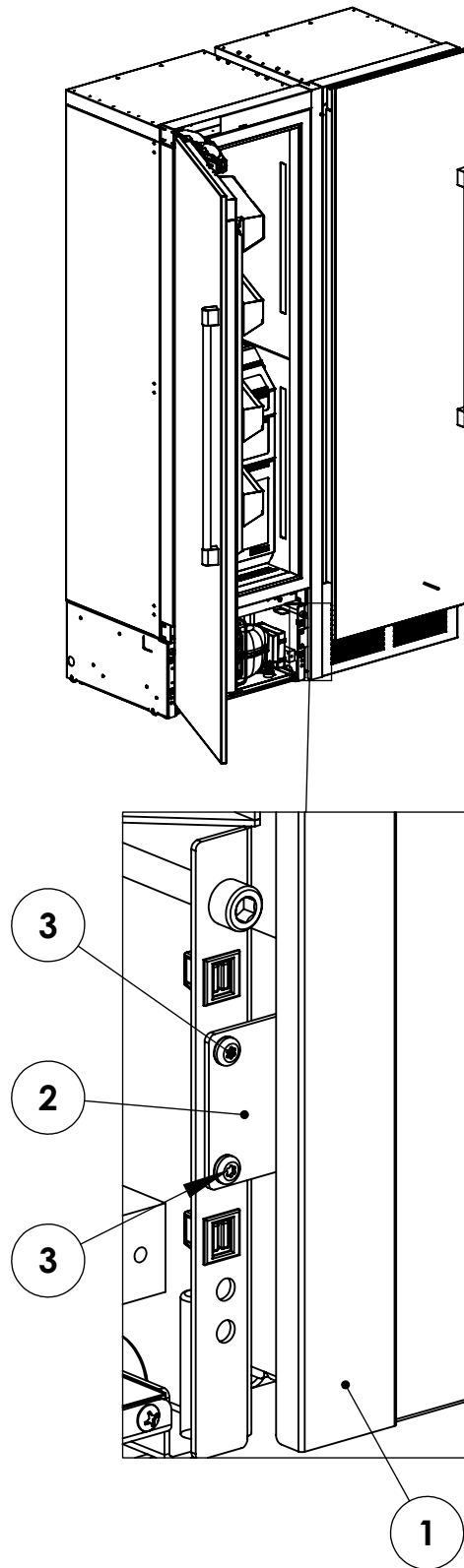
**PERLICK CORPORATION**  
MILWAUKEE, WI 53223

PROPERTY OF THE PERLICK CORP.  
NOT TO BE COPIED OR USED DETRIMENTAL TO OUR INTERESTS



**STEP #3: REMOVE ALL PROTECTIVE FILM FROM THE CENTER TRIM (1017861-1).**

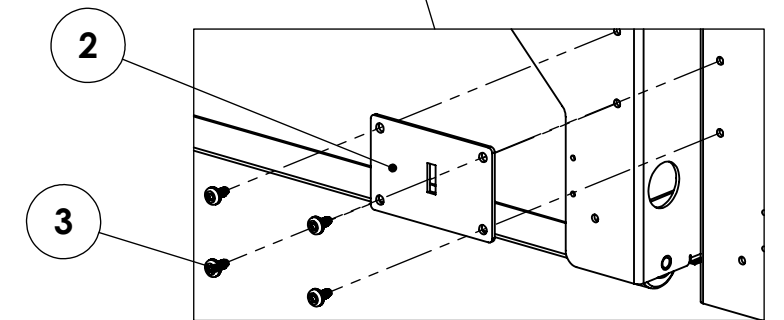
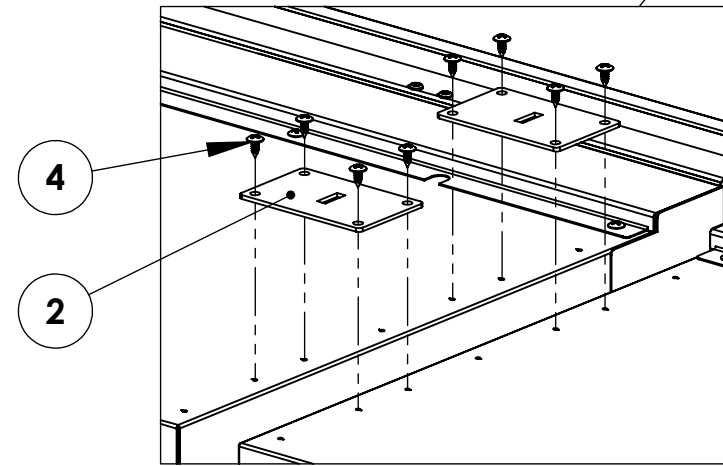
**STEP #4: ATTACH THE CENTER TRIM TO LEFT SIDE OF THE CABINET THAT WILL BE ON THE RIGHT, WITH (6) 1010546. BEFORE FULLY TIGHTENING SCREWS, MAKE SURE THE CENTER TRIM SITS FLUSH WITH THE CABINET FACE.**



**STEP #5: MOVE BOTH CABINETS DIRECTLY NEXT TO EACH OTHER SO THAT THE LEFT CABINET COMES IN CONTACT WITH THE CENTER TRIM.**

**STEP #6: SECURE BOTH CABINETS TOGETHER BY SECURING THE "ATTACHING BRACKET (1017862-1)," PREVIOUSLY SECURED TO THE RIGHT CABINET, TO THE LEFT CABINET WITH (2) 1008781 SCREWS.**

**STEP #7: SECURE BOTH CABINETS TOGETHER AT THE TOP WITH (2) 1017862-1 AND (8) M50050-466**



**STEP #8: SECURE BOTH CABINETS TOGETHER AT THE BACK WITH (1) 1017862-1 AND (4) 1008781**

**STEP #9: ONCE ALL BRACKETS HAVE BEEN SECURED IN PLACE, ATTACH THE FRONT GRILLS BACK ONTO THE UNIT.**



**PERLICK CORPORATION  
MILWAUKEE, WI 53223**

PROPERTY OF THE PERLICK CORP.  
NOT TO BE COPIED OR USED DETRIMENTAL TO OUR INTERESTS

SCALE: 1:50

DR.: KDS DATE: 5/26/2018

**1017884**

SHEET 2 OF 2